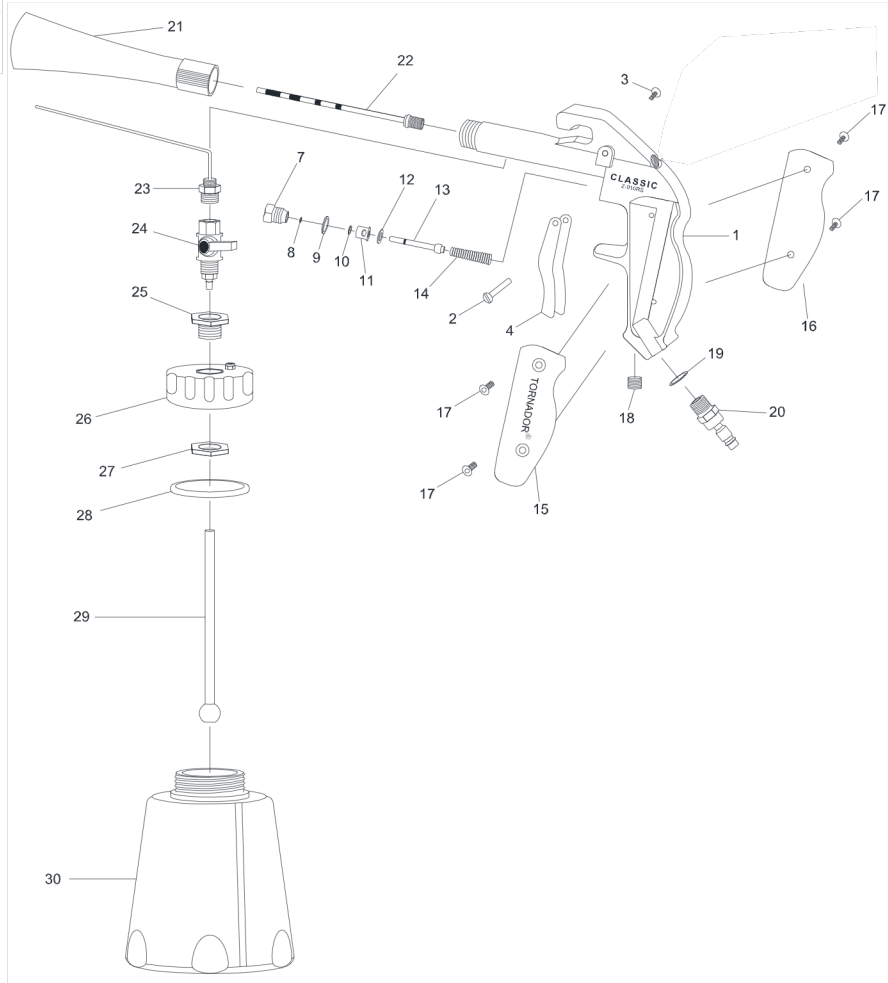


Z-010RS Tornador Gun (Cleaning Gun)



Ref. No.	Part No.	Description	Q'ty	Ref. No.	Part No.	Description	Q'ty
			Tool				Tool
1	SPZ010RS001	Housing (Paint Finish)	1	21	SPZ010S004	Nozzle (Matt Finish/Red)	1
2	SPZ020S007	Pin	1	22	SPZ010005	Weighted Tube Ass'y	1
3	SPZ010008A	Screw	1	23	SPZ010016	Inner Tube Ass'y	1
4	SPZ020RS002	Trigger (Paint Finish)	1	24	SPZ010017A	Air Reverse Switch Ass'y	1
7	SPZ010011	Screw	1	25	SPZ010018	Screw	1
8	SPZ010031	O-Ring (2x1)	1	26	SPZ010019C	Cap (with hole) and Valve	1
9	SPZ010028	O-Ring (9x2)	1		SPZ010019A	Cap (closed)	
10	SPZ010027	O-Ring (3.5x1.5)	1	27	SPZ010021	Nut	1
11	SPZ010012	Bushing	1	28	SPZ020014A	Gasket (O-Ring) f. valve type	1
12	SPZ010013	Gasket	1	29	SPZ010022	Tube Ass'y (inkl.part.no.28)	1
13	SPZ010014	Valve Stem	1	30	ZZ-020	Cup Set incl.no.26 (closed), 28,29	1
14	SPZ010015A	Spring	1				
15	SPZ010S002	Left Side Cap (Red)	1				
16	SPZ010S003	Right Side Cap (Red)	1				
17	SPZ020S004	Screw	4				
18	SPZ020S005	Screw	1				
19	SPZ020S006	O-Ring (9.5x1.5)	1				
20	SPZ020RS003	Swivel Air Inlet (1/4"PF)	1				